

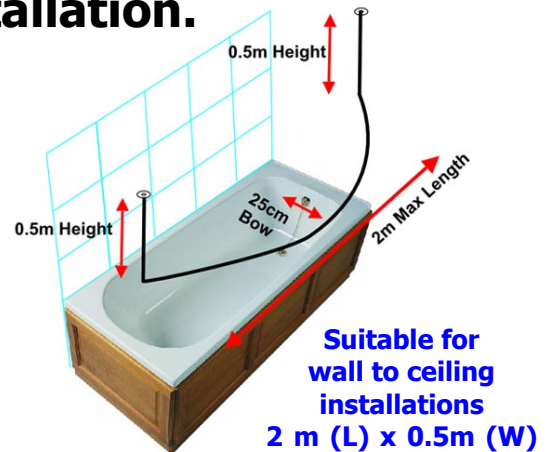
SHOWER RAIL

Available from
www.byretech.com

Crescent Rod Ceiling to Ceiling Installation.

Tools required to complete the installation.

- Electric Drill with 8mm masonry drill bit 
- Suitable Hex Screwdriver 
- Masking tape to ensure ceiling is not damaged when drilling 
- Stainless Steel Pipe cutter or suitable hacksaw 
- Spirit level to get rail level 
- Tape measure 



Installation instructions

- Measure up from the **inside base of the bath approximately 190 cm** and make a horizontal line on your tiles with a pencil. This is the ideal height for your new shower rail.

(This is so the rail and new curtain fit perfectly as shower curtains are normally 180cm drop from shower rail)

- Measure from this new pencil line to the ceiling and this is the length that you need to cut your ceiling adapters to.
- Decide on the desired width of your shower rail and using a pipe cutter or hacksaw cut the stainless steel rail to size.

(Tip - Rail should be slightly shorter than the length of your bath)

- Assemble the corner piece and tighten the two grub screws with the allen key provided.



Elbow Joint x 2

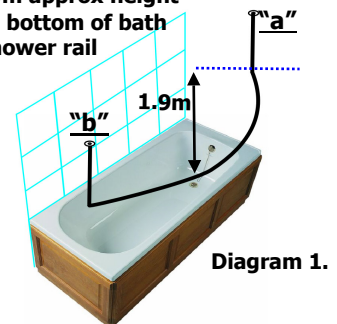
- Hold the completed Crescent Rod shaped rail up against the ceiling as per Diagram 1 and mark the position of the point where the Crescent Rod brackets touch the ceiling **"a"** and **"b"**.

Normally the Crescent Rod ceiling brackets are fixed 10cm in from the edge of the bath.

Note. You will need an 8mm masonry drill bit to go through your ceiling. You may need extra bracing in your ceiling space to screw into.

- Drill the fixing holes, insert rawplugs and fix the brackets to the ceiling.
- Insert assembled rail into the wall brackets, then check that the rail is level.
- Tighten the allen screws on both brackets with the allen key provided.

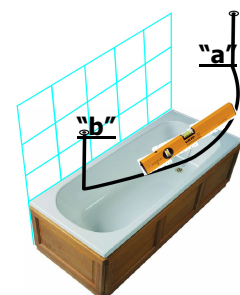
- 1.9m approx height from bottom of bath to shower rail



- Mark & drill holes using an 8mm masonry drill on ceiling
- Add rawplugs & fix bracket to ceiling



- Ensure rod is level and straight
- Mark new brackets and then fix rail in place on ceiling.



Byretech Ltd
The Bathroom Water Damage Prevention specialists

Byretech Ltd
Unit 51 Padgets Lane, South Moons Moat,
Redditch, Worcestershire B98 0RD UK.
Phone: +44 (0) 1527 522 522 Fax: +44 (0) 1527 522 111
E-mail: info@byretech.com Web: www.byretech.com